

PID

Profile



PID500
Size : 48 x 48mm



PID110
Size : 96 x 48mm



PID330
Size : 96 x 96mm



PR502
Size : 48 x 48mm

FEATURES

- Universal Inputs
- Ramp Soak
- Max 3 Output
- Retransmission (Optional)
- RS485 Communication MODBUS RTU Protocol (Optional)

- Ramp / Soak Control
- 10 Programs, 16 Steps Each
- Alarm at Each Stage
- Memory Retention

DISPLAY

4 + 4 digits, 7 segment LED Dual display

INPUT TYPE

Thermocouple: J, K, T, R, S, C, E, B, N, L, U, W, Platinel II RTD: Pt100
Signal Inputs (DC): -5 to 56 mV, 0 to 10 V DC, 0 to 20 mA DC

RESOLUTION

TC / RTD : 1 / 0.1°; Analog input : 1 / 0.1 / 0.01 / 0.001

ACCURACY

For TC input : 0.25% of F.S. $\pm 1^{\circ}$; For R & S inputs : 0.5% of F.S. $\pm 2^{\circ}$ (20 min of warm up time);
For RTD input : 0.1% of F.S. $\pm 1^{\circ}$; Cold junction accuracy $\pm 5^{\circ}\text{C}$; Signal input : $\pm 0.5\%$, ± 1 digit

SET POINT

Maximum 3

CONTROL MODE

Autotune PID or ON - OFF

CONTROL OUTPUT

Relay : 5A @ 230V AC / 30V DC or SSR : 18V DC, 20mA or Current : 0/4 to 20 mA DC (max load 500E) or Voltage : 0 to 5/10V DC (min load 10K) (Depends on product code selection)

AUXILIARY OUTPUT

(Maximum 2) Relay or SSR (Mode: Set point or Alarm mode) Relay : 5A @ 230V AC / 30V DC ; SSR : 12V DC, 20mA

OPTIONAL FEATURES

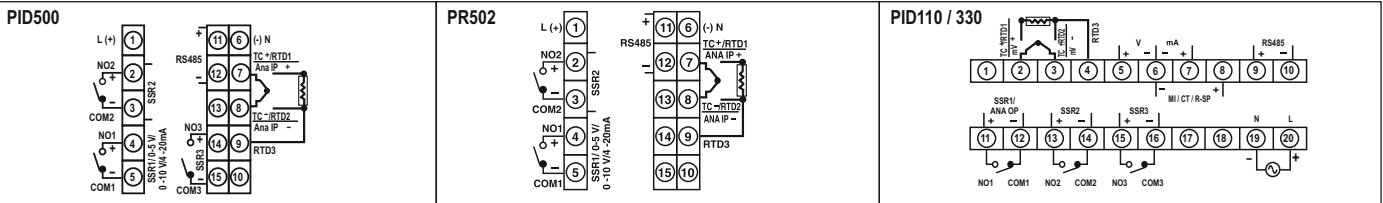
Extra alarm output (relay3), RS485 Communication MODBUS RTU protocol
Retransmission analog output

No. of Profiles : 10 (16 steps each), Ramp / Soak
Time Range : 0.01 to 99.99 Hrs.
Other Profile Parameters : Link profiles,
Programmable repeat cycle, Power down resume, Reset option,
Deviation hold, Alarm at each step with settable alarm duration,
Retransmission analog output

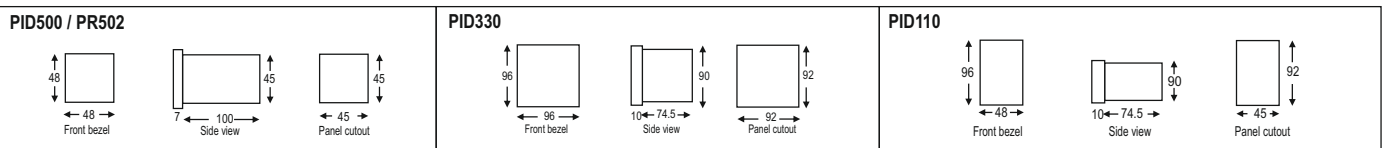
SUPPLY VOLTAGE (AC : 50 / 60 Hz)

85 to 270V AC / DC

Terminal Connections



Dimensions (All are in mm)



PID500 / PID110 / PID330

PRODUCT CODE	OUTPUT 1	OUTPUT 2	OUTPUT 3		SUPPLY VOLTAGE	CERTIFICATION
			RELAY / SSR	COMMUNICATION (RS485)		
PID500-0-0-00 V2	RELAY	RELAY	--	--	85-270V AC / DC	CE
PID500-0-0-01 V2	RELAY	RELAY	RELAY	--	85-270V AC / DC	CE
PID500-0-0-04 V2	RELAY	RELAY	RELAY	YES	85-270V AC / DC	CE
PID500-1-0-00 V2	SSR	RELAY	--	--	85-270V AC / DC	CE
PID500-2-0-00 V2	4-20mA	RELAY	--	--	85-270V AC / DC	CE
PID500-2-0-01 V2	4-20mA	RELAY	RELAY	--	85-270V AC / DC	CE
PID500-2-0-04 V2	4-20mA	RELAY	RELAY	YES	85-270V AC / DC	CE
PID500-3-0-00 V2	0 - 10V	RELAY	--	--	85-270V AC / DC	CE
PID330-0-0-01 V2	RELAY	RELAY	RELAY	--	85-270V AC / DC	--
PID330-2-0-01 V2	4-20mA	RELAY	RELAY	--	85-270V AC / DC	--
PID110-0-0-01 V2	RELAY	RELAY	RELAY	--	85-270V AC / DC	--

PR502

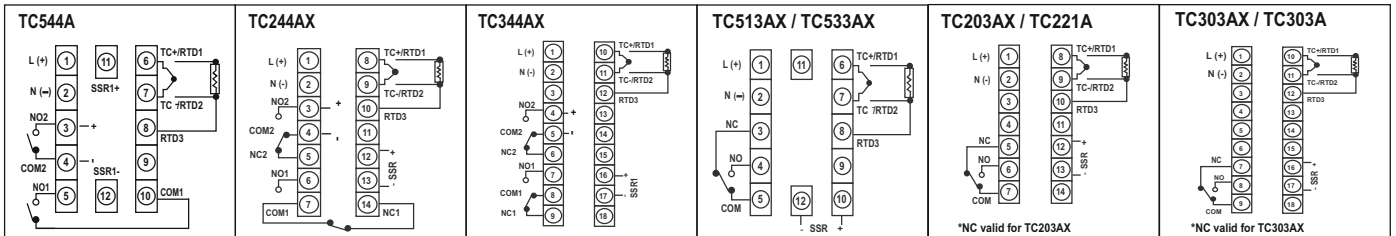
PRODUCT CODE	OUTPUT 1	OUTPUT 2	SUPPLY VOLTAGE	CERTIFICATION
PR502-0-0-0	RELAY	RELAY	85-270V AC / DC	CE
PR502-2-0-0	4-20mA	RELAY	85-270V AC / DC	CE

Temperature Controllers

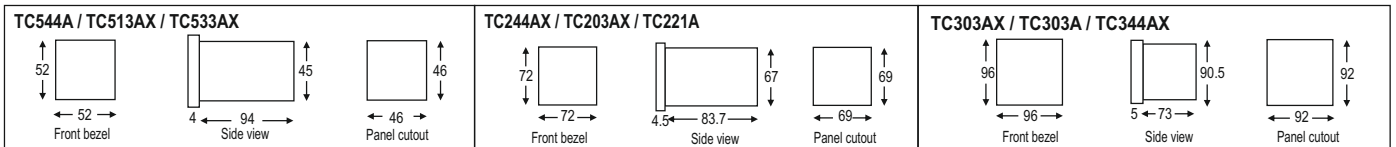


FEATURES	<ul style="list-style-type: none"> Dual Display, Dual Setpoint TC / RTD inputs Control Output : Relay or SSR Auxiliary Output : Relay Dwell Timer , Heat Cool PID 	<ul style="list-style-type: none"> Single Display, Single Setpoint TC / RTD inputs Control Output : Relay or SSR 	<ul style="list-style-type: none"> Dual Display, Single Setpoint TC / RTD inputs Control Output : Relay or SSR
DISPLAY	4 + 4 digits, 7 segment LED Dual display	3 digits, 7 segment LED Single display	3 + 3 digits, 7 segment LED Dual display
INPUT TYPE	Thermocouple (J,K,T,R,S) / RTD (Pt100)		
RESOLUTION	0,1/1° for TC/RTD (fixed 1° for R & S TC)	Fixed 1° resolution	
ACCURACY	For TC inputs : 0.25% of F.S. ±1° ; For R & S inputs : 0.5% of F.S. ±2° (20 min of warm up time); For RTD input : 0.1% of F.S. ±1°		
SETPOINT	2	1	
CONTROL MODE	Autotune PID or ON - OFF		
CONTROL OUTPUT	Relay : 5A resistive @ 230V AC / 30V DC or SSR (Field Selectable) : 12V DC, 50mA	Relay : 10A resistive @ 230V AC / 30V DC or SSR : 12V DC, 50mA	
AUXILIARY OUTPUT	Relay : 5A resistive @ 230V AC / 30V DC	--	
SPECIAL FUNCTIONS	Heat cool PID Dwell timer	--	
SUPPLY VOLTAGE (AC : 50 / 60 Hz)	85 to 270V AC / DC, 24V AC / DC (optional)	85 to 270V AC / DC	

Terminal Connections



Dimensions (All are in mm)



Ordering Information

PRODUCT CODE	OUTPUT 1	OUTPUT 2	SUPPLY VOLTAGE	CERTIFICATION	PRODUCT CODE	OUTPUT	SUPPLY VOLTAGE	CERTIFICATION
TC544A	RELAY	SSR	85-270V AC / DC	CE	TC513AX	RELAY	85-270V AC / DC	CE
TC544A-24V	RELAY	SSR	24V AC / DC	CE	TC533AX	RELAY	85-270V AC / DC	CE
TC244AX	RELAY	SSR	85-270V AC / DC	CE	TC203AX	RELAY	85-270V AC / DC	CE
TC244AX-24V	RELAY	SSR	24V AC / DC	CE	TC303AX	RELAY	85-270V AC / DC	CE
TC344AX	RELAY	SSR	85-270V AC / DC	CE	TC303A	RELAY	85-270V AC / DC	CE
TC344AX-24V	RELAY	SSR	24V AC / DC	CE				

Temperature Controllers



TC518
Size : 48 x 48mm



PID528
Size : 48 x 48mm



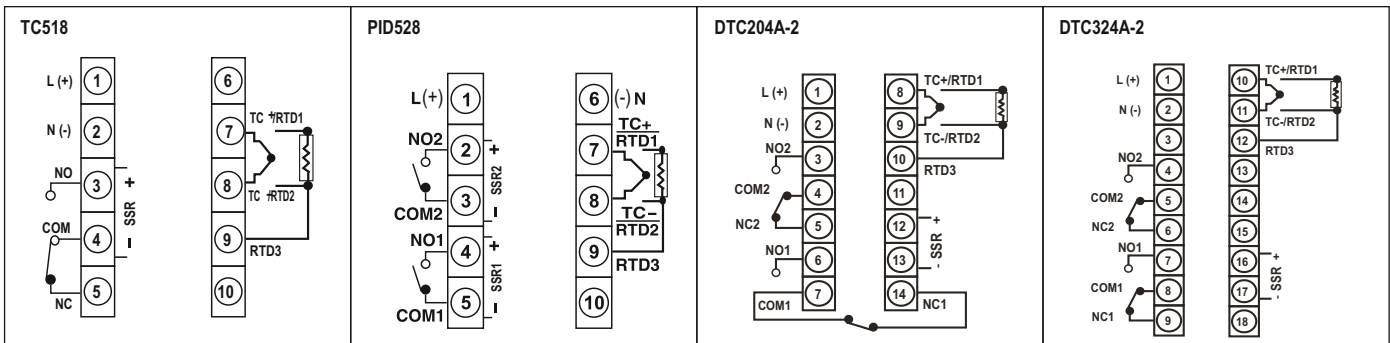
DTC204A-2
Size : 72 x 72mm



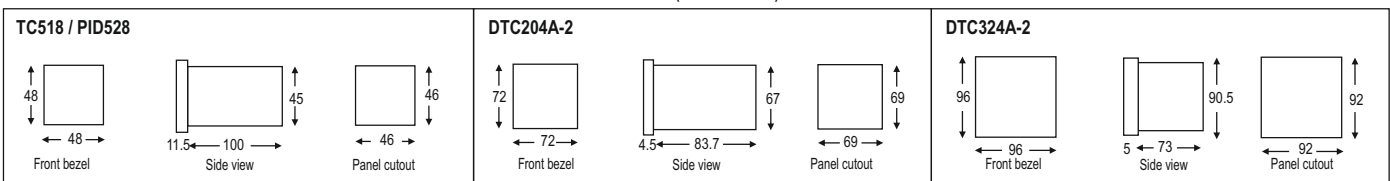
DTC324A-2
Size : 96 x 96mm

FEATURES	<ul style="list-style-type: none"> Dual Display, Single Setpoint TC / RTD inputs Control Output : Relay or SSR 	<ul style="list-style-type: none"> Dual Display, Dual Setpoint TC / RTD inputs Control Output : Relay or SSR Auxiliary Output : Relay 	<ul style="list-style-type: none"> Single Display, Dual Setpoint TC / RTD inputs Control Output : Relay or SSR Auxiliary Output : Relay
DISPLAY	4 + 4 digits, 7 segment LED display		4 digits, 7 segment LED display
INPUT TYPE	Thermocouple (J,K,T,R,S) / RTD (PT 100)		
RESOLUTION	0.1/1° for TC/ RTD inputs (fixed 1° for R & S type TC input)		
ACCURACY	For TC inputs : 0.25% of F.S. ±1°; For R & S inputs: 0.5% of F.S. ±2° (20 min of warm up time); For RTD input : 0.1% of F.S. ±1°		
SETPOINT	1	2	
CONTROL MODE	Autotune PID or ON - OFF		
CONTROL OUTPUT	Relay : 10A resistive @ 230V AC / 30V DC Optional SSR : 18V DC, 20mA	Relay : 5A resistive @ 230V AC / 30V DC Optional SSR : 18V DC, 30mA	Relay : 10A resistive @ 230V AC / 30V DC or SSR : 12V DC, 30mA
AUXILIARY OUTPUT	Relay : 5A resistive @ 230V AC / 30V DC		
SUPPLY VOLTAGE (AC : 50 / 60 Hz)	85 to 270V AC / DC		

Terminal Connections



Dimensions (All are in mm)



Ordering Information

PRODUCT CODE	OUTPUT 1	OUTPUT 2	SUPPLY VOLTAGE	CERTIFICATION
TC518 V2	RELAY	--	85-270V AC / DC	CE in process
TC518-SSR V2	--	SSR	85-270V AC / DC	CE in process
PID528-1 V2	RELAY	RELAY	85-270V AC / DC	CE in process
PID528-2 V2	--	SSR	85-270V AC / DC	CE in process
DTC204A-2	RELAY	SSR	85-270V AC / DC	--
DTC324A-2	RELAY	SSR	85-270V AC / DC	--

Temperature Controllers



TC544B
Size : 48 x 48mm



TC513BX
Size : 48 x 48mm



TC533BX
Size : 48 x 48mm

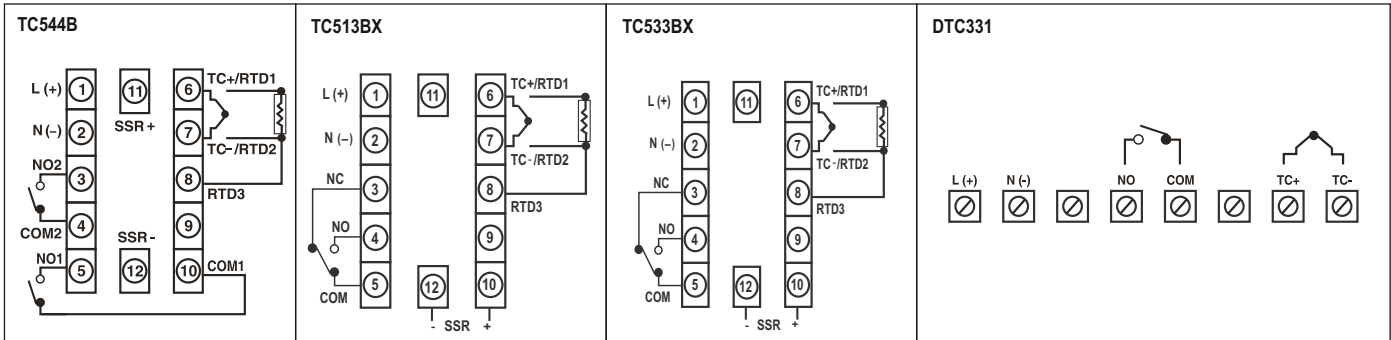


DTC331
Size : 96 x 96mm

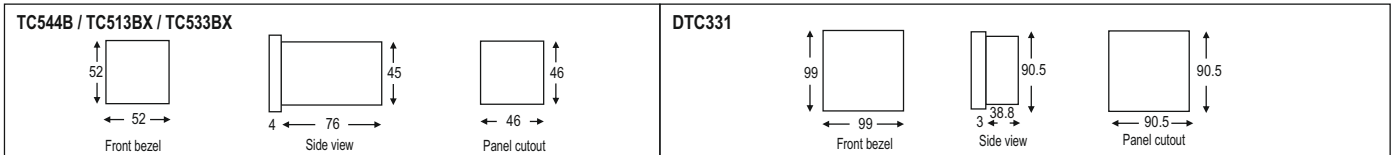


FEATURES	<ul style="list-style-type: none"> Dual Display, Dual Set Point Short Depth TC TC / RTD input Control Output : Relay or SSR Dwell Timer, Heat Cool PID 	<ul style="list-style-type: none"> Single Display, Single Set Point Short Depth TC TC / RTD input Control Output : Relay or SSR 	<ul style="list-style-type: none"> Dual Display, Single Set Point Short Depth TC TC / RTD input Control Output : Relay or SSR 	<ul style="list-style-type: none"> 3 Digit Single Display J, K TC input ON-OFF Control Economical TC
DISPLAY	4 + 4 digits, 7 segment LED dual display	3 digits, 7 segment LED single display	3 + 3 digits, 7 segment LED dual display	3 digits, 7 segment single display
INPUT TYPE	Thermocouple (J,K,T,R,S) / RTD (PT 100)			Thermocouple (J,K)
RESOLUTION	0.1/1° for TC/RTD inputs (fixed 1° for R & S type TC input)	Fixed 1° resolution		Fixed 1° resolution
ACCURACY	For J,K & T TC inputs : 0.25% of F.S ±1°; For R & S inputs : 0.5% of F.S. ±2° (20 min of warm up time for TC inputs); For RTD input : 0.1% of F.S ±1°			0.25% of F.S. ±1° (20 min warm up time)
SETPOINT	2	1		1
CONTROL MODE	Auto tune / self tune PID or ON-OFF			ON-OFF
CONTROL OUTPUT	Relay : 5A resistive @ 230V AC / 30V DC or SSR : 12V DC,30mA	Relay : 10A resistive @ 230V AC / 30V DC or SSR : 12V DC,50mA		Relay : 10A resistive @ 230V AC / 30V DC
AUXILIARY OUTPUT	Relay : 5A resistive @ 230V AC / 30V DC	---	---	---
SPECIAL FUNCTIONS	Heat Cool PID, Dwell timer	---	---	---
SUPPLY VOLTAGE (AC : 50 / 60 Hz)	85 to 270V AC / DC			

Terminal Connections



Dimensions (All are in mm)



Ordering Information

PRODUCT CODE	OUTPUT 1		OUTPUT 2	SUPPLY VOLTAGE	CERTIFICATION
TC544B	RELAY	SSR	RELAY	85-270V AC / DC	CE
TC533BX	RELAY	SSR	--	85-270V AC / DC	CE in process
TC513BX	RELAY	SSR	--	85-270V AC / DC	CE in process
DTC331	RELAY	--	--	85-270V AC / DC	--
DTC231	RELAY	--	--	85-270V AC / DC	--

Analog



TC52

Size : 48 x 48mm / Panel Cutout : 46 x 46

FEATURES

- Features:
- Dial setting
- TC Inputs
- Single relay output
- Easy to use

DISPLAY

Dial Setting

INPUT TYPE

Thermocouple (J,K)

RESOLUTION

Fixed 1° resolution

ACCURACY

Setting $\pm 3\%$ of full scale
 $\pm 0.5\%$ of full scale

SETPOINT

1

CONTROL MODE

Time Proportional & ON-OFF

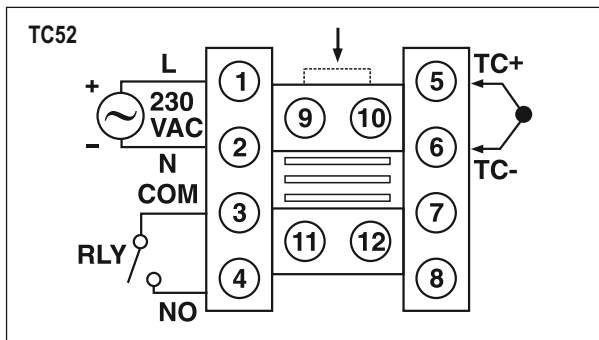
CONTROL OUTPUT

7A resistive @ 230V AC

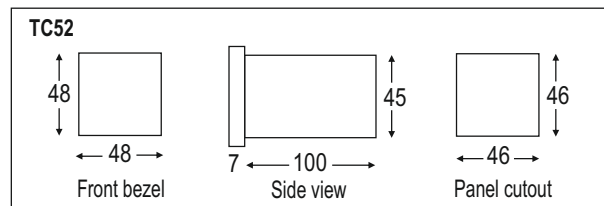
SUPPLY VOLTAGE (AC : 50 / 60 Hz)

230V AC

Terminal Connections



Dimensions (All are in mm)



Ordering Information

PRODUCT CODE	OUTPUT	SUPPLY VOLTAGE
TC52-400-J-230	RELAY	230V AC

Cooling Controller



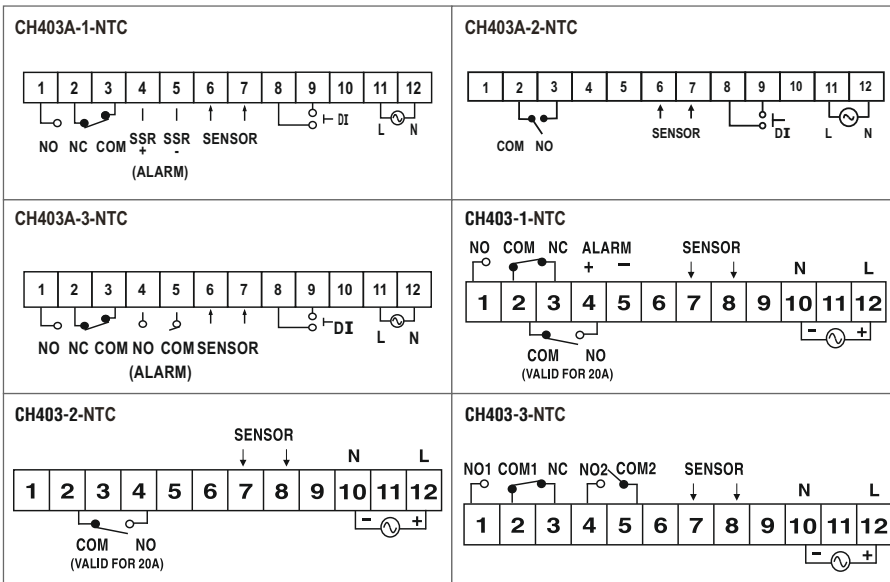
CH403A
Size : 36 x 72mm



CH403
Size : 36 x 72mm

FEATURES	CH403A	CH403
DISPLAY	2½ digits, 7 segment display	3 digit, 7 segment display
INPUT TYPE	NTC type sensor	
RESOLUTION	1 / 0.1°	
ACCURACY	0.25% of full scale ±1°	±1% of F.S.
SETPOINT	1	
CONTROL MODE	ON - OFF	
CONTROL OUTPUT	10A @ 230V AC / 30V DC or 20A @ 230V AC / 30V DC (Depends on product code selection)	
AUXILIARY OUTPUT	12V DC, 10mA or 5A @ 230V AC / 30V DC (Depends on product code selection)	
HYSTERESIS	0.1 to 9.9°	
DISPLAY OFFSET	-19.9° to 19.9°	-19.9° to 20.0°
RESTART TIME DELAY	Adjustable from 0 to 19.9 min	
RELAY ACTION	Heat & Cool Mode	
DEFROST TIME	Programmable from 0 to 99 min	
DEFROST FREQUENCY	Programmable from 0 to 99 (hr / min / sec)	
SUPPLY VOLTAGE (AC : 50 / 60 Hz)	230V AC, 85 to 270 V AC / DC	85 to 270V AC / DC, 24V AC / DC

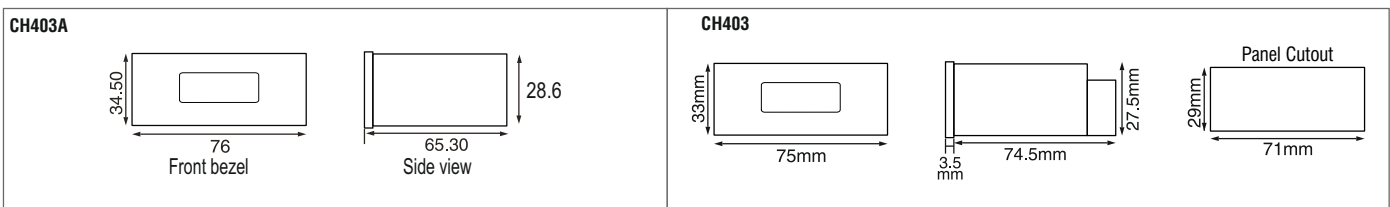
Terminal Connections



Ordering Information

PRODUCT CODE	OUTPUT		SUPPLY VOLTAGE	CERTIFICATION
	CONTROL OUTPUT	ALARM OUTPUT		
CH403A-1-NTC	RELAY	SSR	230V AC	--
CH403A-2-NTC	RELAY	--	85 to 270V AC / DC	--
CH403A-3-NTC	RELAY	RELAY	230V AC	--
CH403A-1-NTC-CE	RELAY	SSR	230V AC	CE
CH403A-2-NTC-CE	RELAY	--	85 to 270V AC / DC	CE
CH403A-3-NTC-CE	RELAY	RELAY	230V AC	CE
CH403-1-NTC	RELAY	SSR	85 to 270V AC / DC	CE
CH403-2-NTC	RELAY	--	85 to 270V AC / DC	CE
CH403-3-NTC	RELAY	RELAY	85 to 270V AC / DC	CE
CH403-1-24	RELAY	SSR	24V AC / DC	CE

Dimensions (All are in mm)



Process Indicators



PIC152A-VI
Size : 48 x 96mm



PIC101N
Size : 48 x 96mm



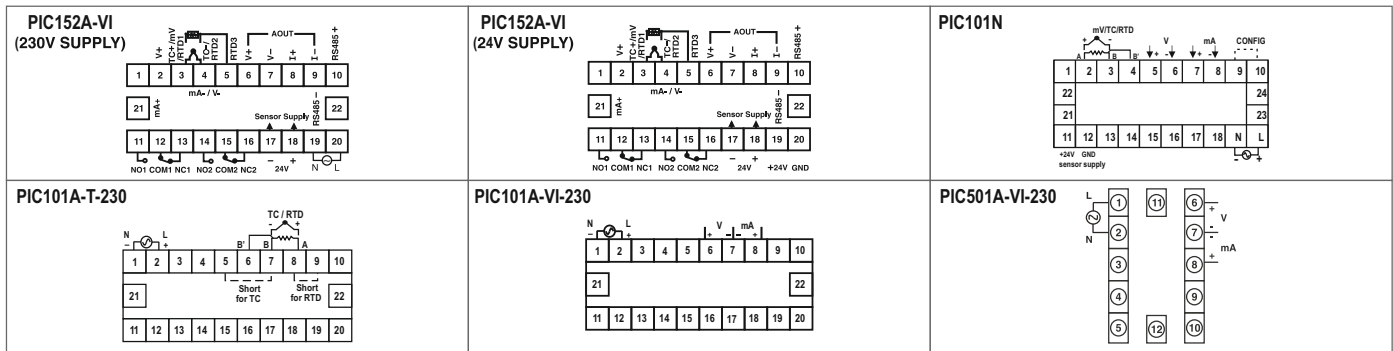
PIC101A-T-230
Size : 48 x 96mm



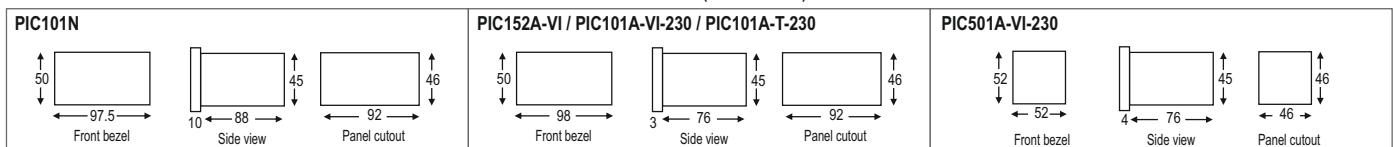
PIC501A-VI-230 **PIC101A-VI-230**
Size : 48 x 48mm Size : 48 x 96mm

FEATURES	<ul style="list-style-type: none"> TC / RTD / Analog input 2 Alarm Output Retransmission RS485 Communication MODBUS RTU Protocol (optional) 	<ul style="list-style-type: none"> TC / RTD / Analog input Basic Scalable Indicator 	<ul style="list-style-type: none"> Simple Temperature Indicator TC / RTD input type 	<ul style="list-style-type: none"> Scalable Analog input Voltage / Current input type
DISPLAY	4 digits, 7 segment LED			
INPUT TYPE	Thermocouple : J, K, T, R, S RTD : Pt100 Signal Inputs (DC) : -5 to 56mV, 0 to 10V, 0/4 to 20mA	Thermocouple : J, K, T, R, S RTD : Pt100 Signal Inputs (DC) : 0 to 56mV, 0 to 10V, 0/4 to 20mA	Thermocouple : J, K, T, R, S RTD : Pt100	Signal Inputs (DC) : 0 to 10V, 0/4 to 20mA
RESOLUTION	TC / RTD : 1 / 0.1, Analog input : 1 / 0.1 / 0.01 / 0.001		1 / 0.1 ¹ (Fix 1 st resolution for R & S type TC)	
ACCURACY	For TC inputs : 0.25% of F.S. ±1 st ; For R & S inputs : 0.5% of F.S. ±2 nd (20 min of warm up time); For RTD input : 0.1% of F.S. ±1 st ; Cold junction accuracy ±5°C ; Signal input : ±0.5% of F.S. ± 1 digit		For TC inputs : 0.25% of F.S. ±1 st ; For R & S input : 0.5% of F.S. ±2 nd (20 min of warm up time); RTD input : 0.1% of F.S. ±1 st	
OUTPUT	2 Alarms : 5A @ 230V AC / 24V DC Alarm modes : High, Low, Band, Fail output & fault diagnosis. Hysteresis, Annunciator : Programmable, Reset action : Automatic or latched		--	
OPTIONAL FEATURES	Retransmission output : 0/4 to 20mA DC, 0 to 5V DC, 0 to 10V DC, RS485 Communication MODBUS RTU Protocol (optional)		--	
SENSOR SUPPLY	24V DC output to power the sensor, 30mA		--	
SUPPLY VOLTAGE (AC : 50 / 60 Hz)	85 to 270V AC / DC, 24V DC (optional)		230V AC, ±20%	

Terminal Connections



Dimensions (All are in mm)



Ordering Information

PRODUCT CODE	RETRANSMISSION	COMMUNICATION (RS485)	SUPPLY VOLTAGE	CERTIFICATION
PIC101N	--	--	85-270V AC / DC	CE
PIC101N-24V	--	--	24V AC / DC	CE
PIC152A-VI	Universal	--	85-270V AC / DC	CE in process
PIC152A-VI-24V	Universal	--	24V AC / DC	CE in process
PIC152A-VI-C	Universal	YES	85-270V AC / DC	CE in process
PIC152A-VI-C-24V	Universal	YES	24V AC / DC	CE in process

PRODUCT CODE	SUPPLY VOLTAGE
PIC101A-T-230	230V AC
PIC101A-VI-230	230V AC
PIC501A-VI-230	230V AC

Count Totalisers

Programmable / Preset Counters



XC410A
Size : 36 x 72mm

XC10D
Size : 48 x 96mm



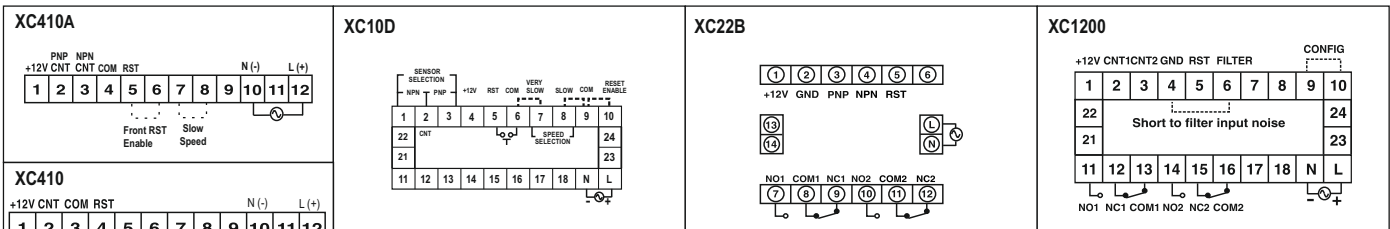
XC22B
Size : 72 x 72mm



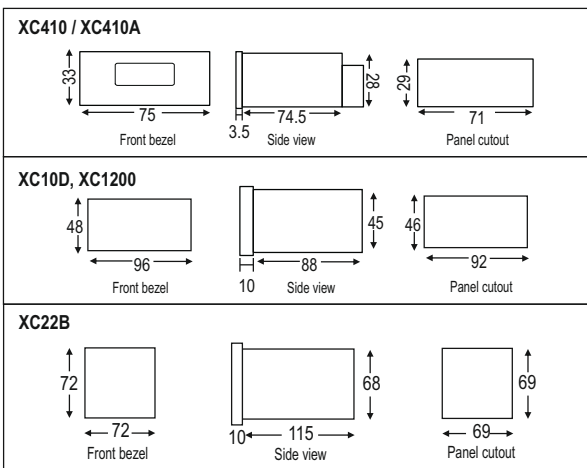
XC1200
Size : 48 x 96mm

FEATURES	Count Totalisers	XC22B	XC1200
OPERATING MODES	---	On delay / Interval / Auto reset	On delay / Interval / Auto reset / Time pulse repeat
TIME RANGES	999999 counts	9999 counts	Selectable least count : 0.0001, 0.001, 0.01, 0.1 & 1 Rate : 4.00 to 99999 RPM/RPH
RESET	Front, Remote	Front, Remote, Auto (Optional)	Front (user selectable), Remote
MEMORY	Yes	Yes (Optional)	Yes
DIRECTION	Up	Up	Up, Down, Bidirectional, Quadrature
SET POINT	---	Single set point	Dual set point
INPUT SPEED	a) 0 to 20Hz, b) 0 to 1kHz	a) 0 to 30Hz, b) 0 to 5kHz	a) 0 to 30Hz, b) 0 to 2.5kHz, c) 0 to 5kHz
SCALE FACTOR	---	---	0.00001 to 9.99999 x 10 ⁿ n = -5, -4, -3, -2, -1, 0, 1, 2
OUTPUT CONTACT	---	2 C/O DPDT	
OUTPUT RATING	---	5A @ 250V AC or 24V DC	
SENSOR TYPE	NPN, PNP, Potential free contacts	NPN, PNP, Potential free contacts	NPN, PNP, Potential free contacts, Encoder
SUPPLY VOLTAGE (AC : 50 / 60 Hz)	230V AC (only for XC410A), 90 to 270V AC/DC, 24V AC/DC (only for XC410)	230V AC	90 to 270V AC/DC

Terminal Connections



Dimensions (All are in mm)



Ordering Information

PRODUCT CODE	SUPPLY VOLTAGE	CERTIFICATION
XC22B-4-230	230V AC	---
XC22B-4-AR-M1-230		---
XC1200	90 to 270V AC/DC	CE
XC1200-CU		CE RoHS
XC410	90 to 270V AC/DC	CE
XC410-CU		CE RoHS
XC410-24	24V AC/DC	---
XC410-24-CU		CE
XC410A-1-230	230V AC	CE in process
XC10D	90 to 270V AC/DC	---

Count Totaliser

Programmable / Preset Counters



LXC900A
Size : 24 x 48mm



XTC5400
Size : 48 x 48mm



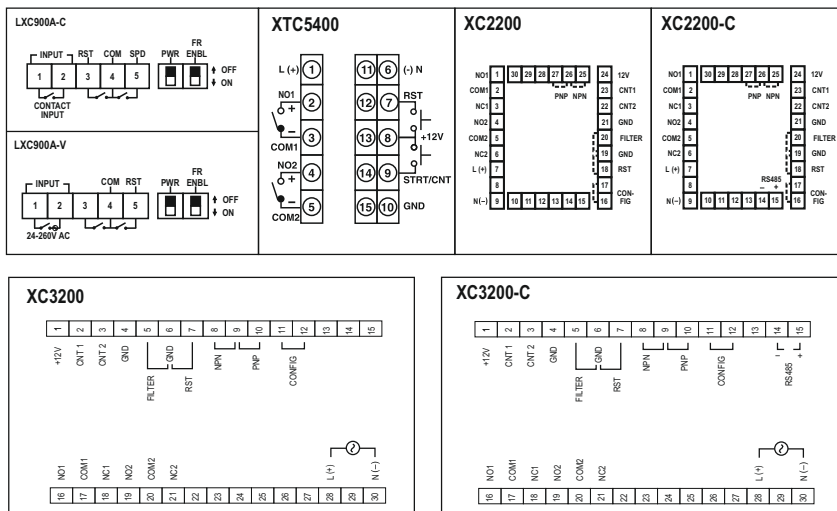
XC3200
Size : 96 x 96mm



XC2200
Size : 72 x 72mm

FEATURES	<ul style="list-style-type: none"> • 8 Digits LCD Counter • Self Powered • Long Battery Life • Contact / Voltage input 	<ul style="list-style-type: none"> • Dual Display, 4 Digits, 7 segment LED • LED Status Indicator : Relay 1, Relay 2, Seconds, Minutes, Hours • Dual Set point • Programmable Input Scaling • Batch Counting 	<ul style="list-style-type: none"> • 6 Digits Counter, 4 Digits RPM Indicator • LED Status Indicator : Relay 1, Relay 2, Rate, Batch • Dual Set point • Programmable Input Scaling, RS485 Communication (against order) • User Configurable Relay 2 Operation Mode, Rate / Batch • Unidirectional, Bi-directional & Quadrature with up / down selection
OPERATING MODES	---	Timer : ON delay / Interval / Cyclic ON first / Cyclic OFF first / Batch. Counter : ON delay / Interval / Auto reset, Time pulse repeat, Batch	ON delay / Interval / Auto reset / Time pulse repeat
TIME RANGES	99999999 counts	Timer : 99.99 / 999.9 / 9999sec, 99:59min:sec, 999.9 / 9999min, 99:59hr:min, 999.9 / 9999hr Counter : -999 to 9999 counts	---
RESET	Front, Remote	Front, Remote, Power Interruption	Front (user selectable), Remote
MEMORY	Yes	Yes	Yes
DIRECTION	Up	Timer : Down Counter : Up / Down	Up / Down
SET POINT	---	2	2
INPUT SPEED	a) 14Hz, b) 100Hz	a) 3Hz, b) 30Hz, c) 5kHz	a) 0 to 30Hz, b) 0 to 5kHz
SCALE FACTOR	---	0.001 to 9.999 x 10 ⁿ n = -3, -2, -1, 0, 1, 2	0.00001 to 9.99999 x 10 ⁿ n = -5, -4, -3, -2, -1, 0, 1, 2
OUTPUT CONTACTS	---	2 Relays each 1 NO	2 C/O DPDT
OUTPUT RATING	---	5A @ 250V AC or 24V DC	
SENSOR TYPE	---	NPN / PNP sensor	
SUPPLY VOLTAGE (AC : 50 / 60 Hz)	Battery powered	90 to 270V AC / DC	

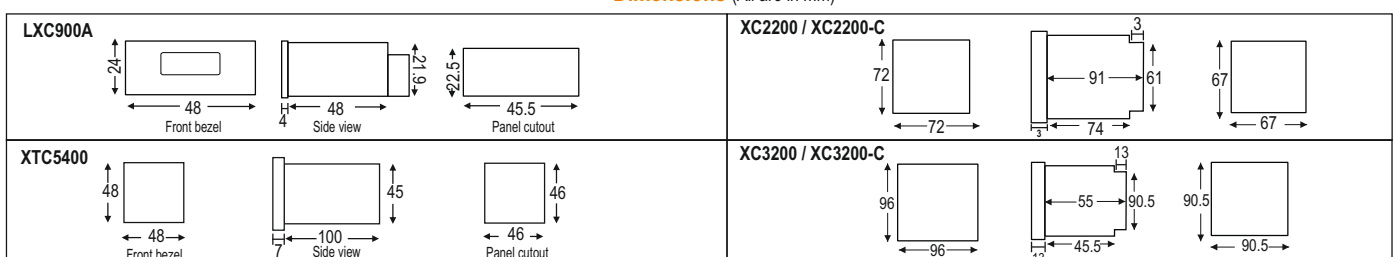
Terminal Connections



Ordering Information

PRODUCT CODE	INPUT TYPE		CERTIFICATION
	Contact	Voltage	
LXC900A-C	■	---	---
LXC900A-V	---	■	---
LXC900A-C-CE	■	---	CE
LXC900A-V-CE	---	■	CE
PRODUCT CODE	SUPPLY VOLTAGE		CERTIFICATION
XTC5400	90 to 270V AC/DC		CE
XTC5400-CU	90 to 270V AC/DC		CE RoHS
XC3200-C	90 to 270V AC/DC		---
XC3200	90 to 270V AC/DC		---
XC2200-C	90 to 270V AC/DC		CE
XC2200	90 to 270V AC/DC		CE

Dimensions (All are in mm)

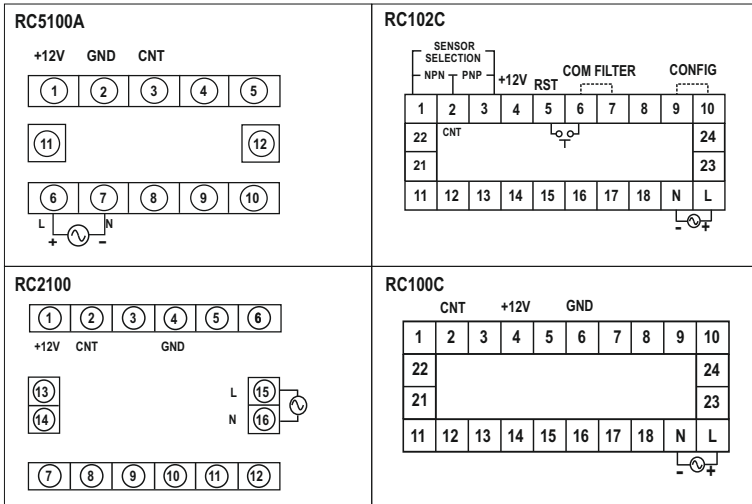


RATE INDICATORS

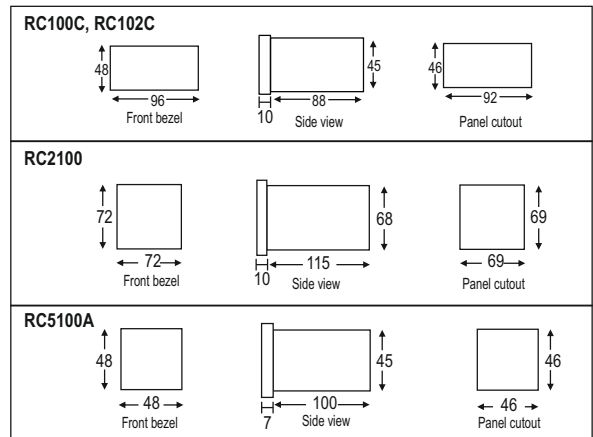


FEATURES	<ul style="list-style-type: none"> Measures upto 9999 RPM Inbuilt Sensor Supply 		<ul style="list-style-type: none"> 6 Digits Counter 4 Digits Rate Indicator Programmable Input Scaling Inbuilt Sensor Supply 	
	DISPLAY	4 digits		Count : 6 digits, Rate : 4 digits
RANGE	4.00 to 9999 RPM		Count : 0.01 to 999999 Rate : 4.00 to 9999 RPM	
RESET	---		Front, Remote	
SET POINT	---		---	
RELAY RATING	---		---	
INPUT SPEED	4 to 9999 pulses per minute		a) 0 to 30Hz, b) 0 to 2.5kHz	
SCALE FACTOR	---		0.00001 to 9.99999 X 10 ⁿ . n = -3, -2, -1, 0, 1, 2	
SENSOR TYPE	PNP	PNP / NPN	PNP	PNP / NPN
SENSOR SUPPLY	Inbuilt, 12V DC, ±10%, 30mA.			
COUNTING DIRECTION	Unidirectional (Up)			
INPUT TYPE	Voltage Pulse : a) 3 to 30V DC from proximity switches, encoder solid state devices, b) Potential free contacts.			
SUPPLY VOLTAGE (AC : 50 / 60 Hz)	90 to 270V AC/DC			

Terminal Connections



Dimensions (All are in mm)



Ordering Information

PRODUCT CODE	SUPPLY VOLTAGE	CERTIFICATION
RC100C	90 to 270V AC/DC	---
RC102C-CE	90 to 270V AC/DC	CE
RC102C-CU		CE RoHS
RC5100A	90 to 270V AC/DC	---
RC2100	90 to 270V AC/DC	---