

Phase Sequence Relays



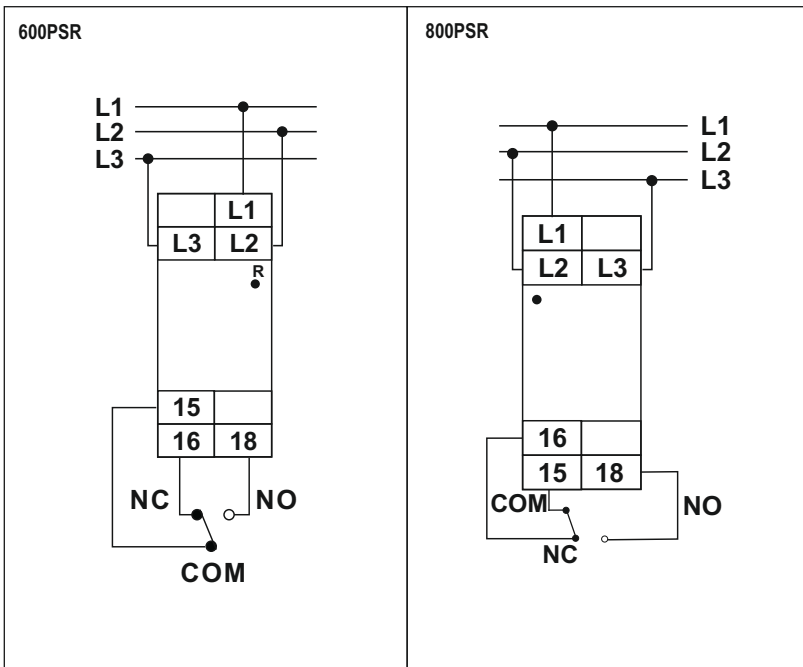
600PSR
Size : 17.5 x 90mm



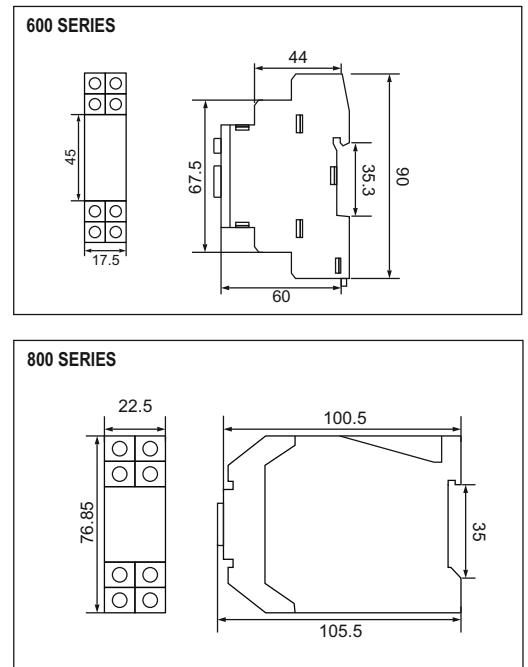
800PSR
Size : 22.5 x 76.85mm

FEATURES	<ul style="list-style-type: none"> Din Rail Mount Phase Failure Phase Sequence Phase Asymmetry Space Saving Design 	<ul style="list-style-type: none"> Din Rail Mount Phase Failure Phase Sequence Phase Asymmetry
MODES	Phase Asymmetry, Phase Failure Trip :- <154V AC (L-L) Phase Asymmetry :- 30V Fixed Reset : Auto Reset	
TIME RANGES	Power On Delay :- 200msec	
ACCURACY	Trip accuracy : ±10V	
OUTPUT CONTACT	1 C/O SPDT	
OUTPUT RATING	NC : 3A @ 250V AC, NO : 5A @ 250V AC	
ELECTRICAL CONNECTION	3Ø - 3W	
OPERATING VOLTAGE	154 to 500V AC (L-L)	

Terminal Connections



Dimensions (All are in mm)



Ordering Information

PRODUCT CODE	OPERATING RANGE	CERTIFICATION
600PSR	154 to 500V AC	---
600PSR-CE		CE RoHS
600PSR-165/300-CU	165 to 300V AC	CE RoHS LIMITED
800PSR	154 to 500V AC	---

Voltage Protection Relays



600VPR-310/520V
Size : 17.5 x 90mm



600VPR-170/290V
Size : 17.5 x 90mm

600VPR-1-180/300V
Size : 17.5 x 90mm

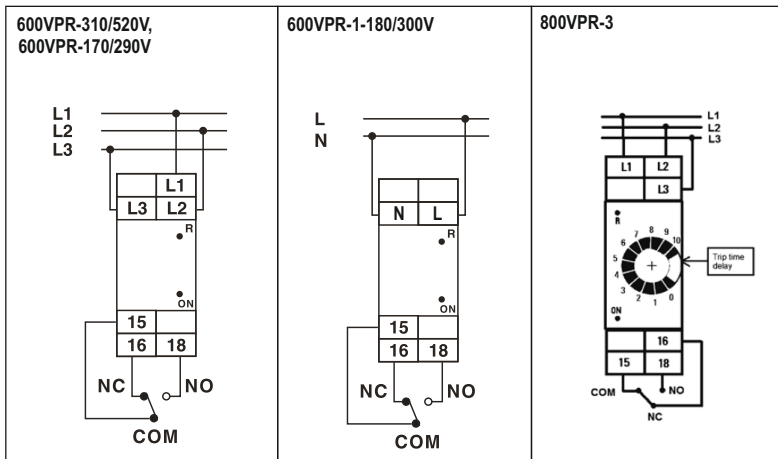


800VPR-3
Size : 22.5 x 76.85mm

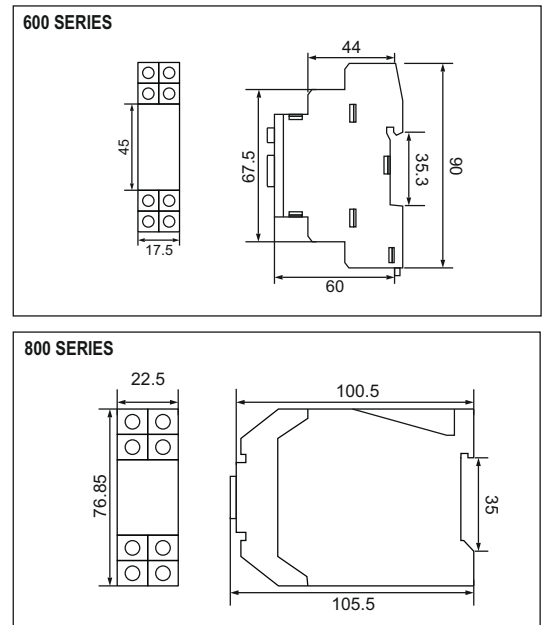
New

FEATURES	<ul style="list-style-type: none"> • Din Rail Mount • Under Voltage • Over Voltage • Phase Sequence • Phase Failure • Space Saving Design 	<ul style="list-style-type: none"> • Din Rail Mount • Under Voltage • Over Voltage • Space Saving Design 	<ul style="list-style-type: none"> • Din Rail Mount • Under Voltage • Over Voltage • Phase Sequence • Phase Failure 	
MODES	Under Voltage trip : 310 to 405V AC (-25% to -2.5% of 415V AC) Over Voltage trip : 425 to 520V AC (+2.5% to +25% of 415V AC) Phase Sequence : YES Phase Failure : YES Reset : Auto Reset	Under Voltage trip : 170 to 224V AC (-25% to -2.5% of 230V AC) Over Voltage trip : 236 to 290V AC (+2.5% to +25% of 230V AC) Phase Sequence : YES Phase Failure : YES Reset : Auto Reset	Under Voltage trip : 180 to 234V AC (-25% to -2.5% of 240V AC) Over Voltage trip : 246 to 300V AC (+2.5% to +25% of 240V AC) Reset : Auto Reset	Under voltage trip : 310 to 405V AC (-25% to -2.5% of 415V AC) Over Voltage trip : 425 to 520V AC (+2.5% to +25% of 415V AC) Phase Sequence : YES Phase Failure : YES Reset : Auto Reset
TIME RANGES	Trip time delay : 0.2 to 10 sec (For under voltage and over voltage) : Instantaneous (For phase failure & phase sequence) Power On Delay : 400msec		Trip time delay : 0.2 to 10 sec (For under voltage and over voltage) Power On Delay : 400msec	Trip Delay : 0 to 10s (For under voltage and over voltage) : Instantaneous (For phase failure & phase sequence)
ACCURACY	Trip Voltage : $\pm 0.5\%$ of F.S Trip Time : $\pm 5\%$ of F.S			
OUTPUT CONTACT	1 C/O SPDT			
OUTPUT RATING	NC: 3A @ 250V AC NO: 5A @ 250V AC		NC: 5A @ 250V AC, (Resistive Load) NO: 5A @ 250V AC	
ELECTRICAL CONNECTION	3Ø - 3W		1Ø - 2W	3Ø - 3W
OPERATING VOLTAGE	310 to 520V AC (L-L)	170 to 290V AC (L-L)	180 to 300V AC(L-N)	310 to 520V AC (L-L)

Terminal Connections



Dimensions (All are in mm)



Ordering Information

PRODUCT CODE	OPERATING RANGE	CERTIFICATION
600VPR-310/520	310 to 520V AC	--
600VPR-310/520-CE		CE RoHS
600VPR-170/290-CU	170 to 290V AC	CE RoHS <small>UL LISTED</small>
600VPR-1-180/300	180 to 300V AC	--
600VPR-1-180/300-CE		CE RoHS
800VPR-3	310 to 520V AC	--

Voltage Protection Relays



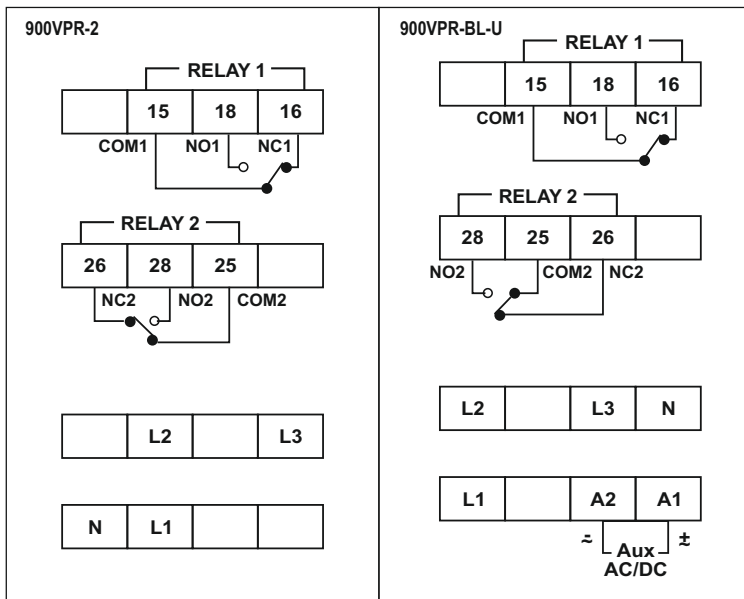
900VPR-2
Size : 35 x 90mm



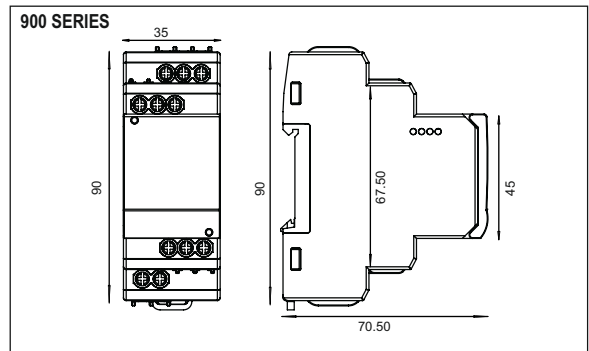
900VPR-BL-U
Size : 35 x 90mm

FEATURES	<ul style="list-style-type: none"> • Din Rail Mount • Monitors Under Voltage, Over Voltage, Under Frequency, Over Frequency, Phase Asymmetry, Phase Failure and Phase Sequence • True RMS Measurement • Adjustable Switching Hysteresis • Two Separate Alarm Relays 	<ul style="list-style-type: none"> • Din Rail Mount • Monitors Under Voltage, Over Voltage, Under Frequency, Over Frequency, Phase Asymmetry, Phase Failure, Neutral Failure and Phase Sequence • True RMS Measurement • Adjustable Switching Hysteresis • Two Alarm Relays With NO or NC Operation selectable
MEASUREMENTS	Under / Over Voltage, Under / Over Frequency, Phase Asymmetry, Phase Failure, Phase Sequence, (Neutral Failure applicable only for 900VPR-BL-U)	
DISPLAY	3 digit LCD	3 digit LCD with backlight
ALARM INDICATIONS	Trip	
ELECTRICAL CONNECTION	3Ø - 3W, 3Ø - 4W	
TRIP SETTING	Under / Over Voltage : 280 to 520V AC L-L (for 3Ø - 3W system) 160 to 300V AC L-N (for 3Ø - 4W system) Under / Over Frequency : 45 to 65Hz, Voltage Asymmetry : 5.0 to 99.9%	Under / Over Voltage : 85 to 500V AC L-L (for 3Ø - 3W system) 50 to 288V AC L-N (for 3Ø - 4W system) Under / Over Frequency : 45 to 65Hz, Phase Asymmetry : 5.0 to 30.0%
TRIP TIME SETTING	Power ON Delay : 2 to 99.9sec Trip Time Delay : 0 to 99.9sec Delay on Release : 0 to 99.9sec Response Time : <200ms	Power ON Delay : 0.5 to 300sec Trip Time Delay : 0 to 300sec Recovery Time Delay : 0 to 300sec Response Time : <120ms
HYSTERESIS	Voltage : 1.0 to 99.0V, Frequency : 0.2 to 2Hz, Asymmetry : 2 to 20%	Voltage : 1.0 to 40V, Frequency : 0.1 to 2Hz, Asymmetry : 2 to 20%
RESOLUTION	Voltage : 1V, Frequency : 0.1Hz	
ACCURACY	Voltage : ±1% of set value, Frequency : ±0.3Hz, Time (Recovery Time, Trip delay, Power on delay) : ±5% of setting +200ms	Voltage : ±1% of set value ±2 digits, Frequency : ±0.5% ± 1 digits, Time (Recovery Time, Trip delay, Power on delay) : ±5% of Setting +120ms
OUTPUT CONTACT	2 x 1 C/O SPDT	
RELAY RATING	NO : 5A @ 250V AC ; NC : 3A @ 250V AC (Res.)	
SUPPLY VOLTAGE	Self Powered, Operating Voltage : 280 to 520V AC (L-L) : 160 to 300V AC (L-N)	85 to 270V AC / DC
FREQUENCY	45 to 65Hz	
POWER CONSUMPTION	30VA max.	4VA max.

Terminal Connections



Dimensions (All are in mm)



Ordering Information

PRODUCT CODE	OPERATING RANGE	CERTIFICATION
900VPR-2-280/520V	280 to 520V AC	---
900VPR-2-280/520V-CE		CE RoHS
900VPR-2-280/520V-CU		CE RoHS (ULISTED)
900VPR-BL-U-CE	85 to 270V AC / DC	CE RoHS

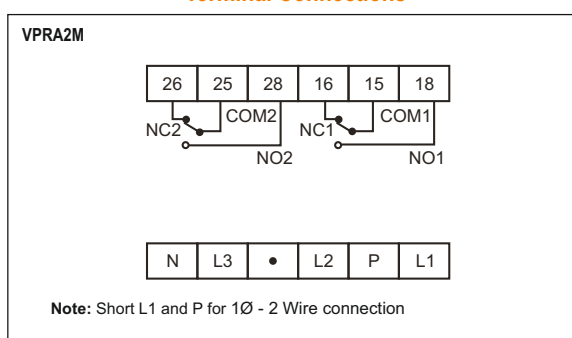
Voltage Protection Relays



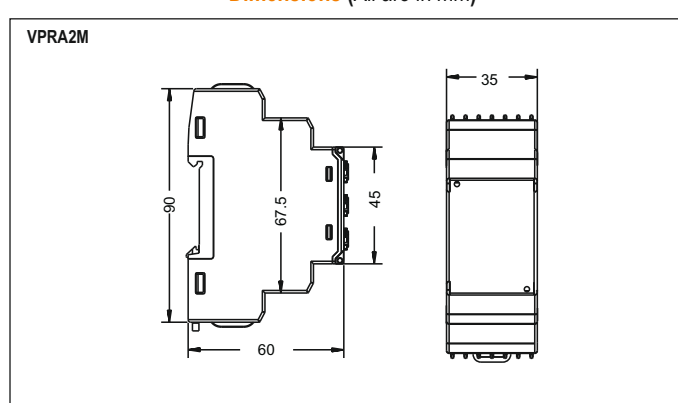
VPRA2M
Size : 35 x 90mm

FEATURES	<ul style="list-style-type: none"> • Din Rail Mount • Monitors Under Voltage, Over Voltage • Monitors Phase Asymmetry, Phase Failure, Phase Sequence • True RMS Measurement • Adjustable Over and Under Voltage Trip Level • Adjustable Operate Time & Trip Time Delay • Auto Reset
MEASUREMENT	Under Voltage, Over Voltage, Phase Failure, Phase Sequence, Phase Asymmetry
DISPLAY	LED indications for Power ON, Phase Failure, Under Voltage, Over Voltage, Phase Sequence, Phase Asymmetry
ELECTRICAL CONNECTION	1Ø - 2W, 3Ø - 4W
TRIP SETTING	Under Voltage : 55 to 95% of Un [127 to 219V AC (L-N)] Over Voltage : 105 to 125% of Un [242 to 288V AC (L-N)] Phase Asymmetry : > 10%
TRIP TIME SETTING	Power ON Delay : 0 to 15sec, Trip Time Delay : 0 to 15sec Recovery Time Delay : 5sec ± 200ms, L1 / Neutral Failure trip delay <200msec, Phase sequence trip delay <250msec
HYSTERESIS	Voltage : 7V (±2V) of trip voltage
ACCURACY	Trip Setting Accuracy : ±5% of F. S. Time Setting Accuracy : ±10% of F. S.
OUTPUT CONTACT	2 C/O DPDT
RELAY RATING	NO, NC : 5A @ 250V AC (Res.) / 28V DC
SUPPLY VOLTAGE	Self powered, Nominal Input Voltage (Un) : 230V AC (L-N), Operating Voltage : 127 to 288V AC (L-N)
FREQUENCY	48 to 63Hz
POWER CONSUMPTION	5VA max

Terminal Connections



Dimensions (All are in mm)



Ordering Information

PRODUCT CODE	OPERATING RANGE	CERTIFICATION
VPRA2M	127 to 288V AC	---
VPRA2M-CE		CE RoHS

Current Protection Relays



900CPR-1
Size : 35 x 90mm



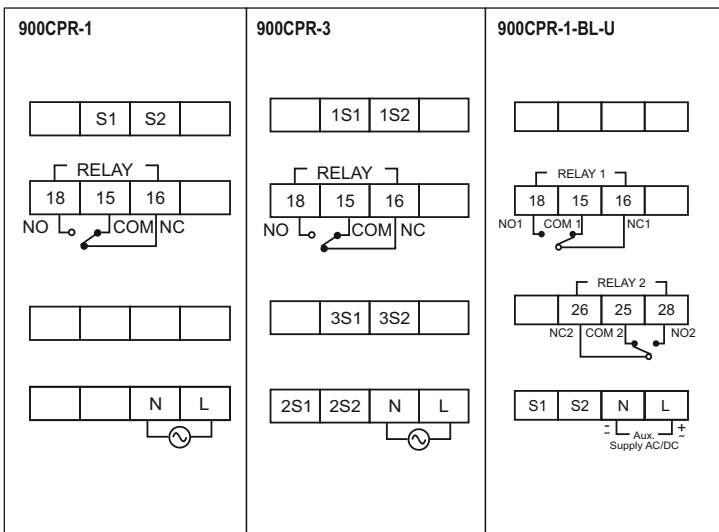
900CPR-3
Size : 35 x 90mm



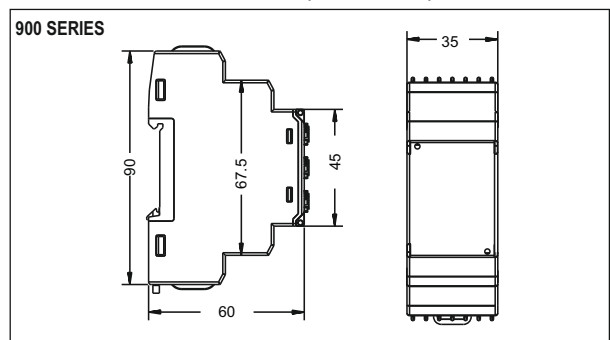
900CPR-1-BL-U
Size : 35 x 90mm

FEATURES	<ul style="list-style-type: none"> • Din Rail Mount • Under Current & Over Current Protection for 1Ø system • True RMS Measurement • One Alarm Relay with NC or NO operation 	<ul style="list-style-type: none"> • Din Rail Mount • Under Current & Over Current Protection for 1Ø & 3Ø system • True RMS Measurement • One Alarm Relay with NC or NO operation 	<ul style="list-style-type: none"> • Din Rail Mount • Under Current & Over Current Protection for 1Ø system • True RMS Measurement • Two Alarm Relay with NC or NO operation
MEASUREMENTS	Under Current, Over Current (Current Asymmetry applicable only for 900CPR-3)		
DISPLAY	3 digit LCD		3 digit LCD with backlight
ALARM INDICATIONS	Trip		
ELECTRICAL CONNECTION	1Ø - 2W	1Ø - 2W, 3Ø - 3W, 3Ø - 4W	1Ø - 2W
CT SETTING	CT Primary : 1A/5A - 999A, CT Secondary : 1A / 5A (selectable)		
TRIP SETTING	Under Current : 0-999A, Over Current : 0.5 to 1.19kA, (Current Asymmetry : 5.0 to 99.9% applicable only for 900CPR-3)		
TRIP TIME SETTING	Power ON Delay : 0.5 to 99.9sec Trip Time Delay : 0 to 99.9sec Recovery Time Delay : 0 to 99.9sec Response Time : < 200ms		
HYSTERESIS	Current : 0.1 to 99.9A		
RESOLUTION	Current : 0.01, 0.1, 1A, 0.01kA (Depends on CT setting)		
ACCURACY	Current : ±1% of Setting ± 2 digits, Time (Recovery Time, Trip delay, Power on delay) : ±5% of setting +200ms		
OUTPUT CONTACT	1C/O SPDT	2 x 1 C/O SPDT	
RELAY RATING	NO : 5A @ 250V AC; NC : 3A @ 250V AC		
SUPPLY VOLTAGE	230V AC ±15%		85 to 270V AC/DC
FREQUENCY	45 to 65Hz		
POWER CONSUMPTION	12VA max.		4VA max.

Terminal Connections



Dimensions (All are in mm)



Ordering Information

PRODUCT CODE	SUPPLY VOLTAGE	CERTIFICATION
900CPR-1-230V	230V AC	---
900CPR-3-230V		---
900CPR-1-BL-U-CE	85 to 270V AC / DC	CE RoHS

Current Protection Relays



CPRD2M
Size : 35 x 90mm



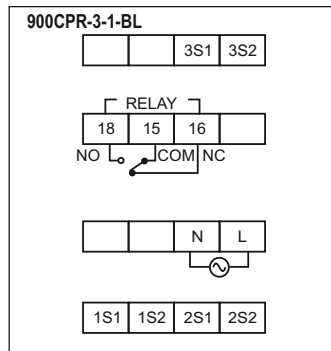
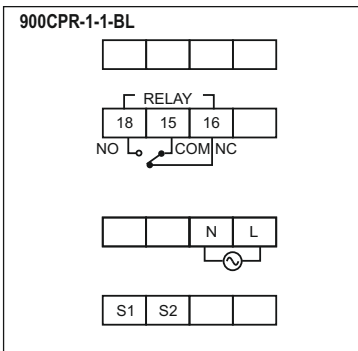
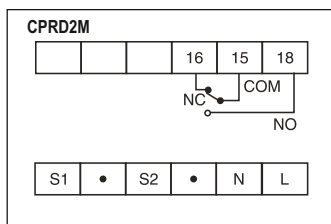
900CPR-1-1-BL
Size : 35 x 90mm



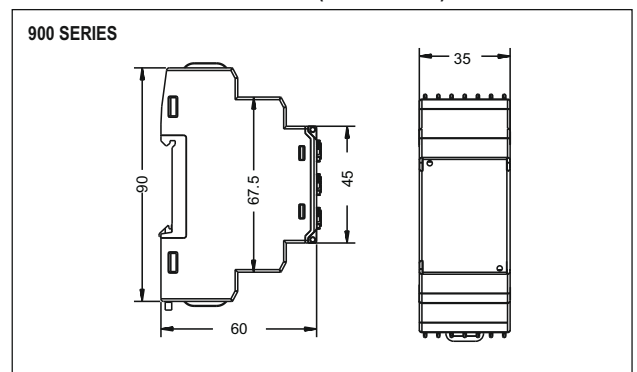
900CPR-3-1-BL
Size : 35 x 90mm

FEATURES	<ul style="list-style-type: none"> Din Rail Mount Under Current & Over Current Protection for 1Ø system True RMS Measurement One Alarm Relay with NC or NO operation Selectable 	<ul style="list-style-type: none"> Din Rail Mount Under Current & Over Current Protection for 1Ø system True RMS Measurement One Alarm Relay with NC or NO operation Selectable 	<ul style="list-style-type: none"> Din Rail Mount Under Current & Over Current Protection for 1Ø & 3Ø system True RMS Measurement One Alarm Relay with NC or NO operation
MEASUREMENTS	UnderCurrent & Over Current monitoring		Under Current & Over Current monitoring, Current Asymmetry
DISPLAY	3 digit LCD		3 digit LCD with backlight
ALARM INDICATIONS	Trip		
ELECTRICAL CONNECTION	1Ø - 2W		1Ø - 2W, 3Ø - 3W, 3Ø - 4W
CT SETTING	CT Primary : 5A / 10A to 999A (selectable), CT Secondary : 5A / 10A (selectable)		CT Primary : 1A / 5A to 999A, CT Secondary : 1A / 5A (selectable)
TRIP SETTING	Under Current : 0 to 999A, Over Current : 0.5 to 1.09kA		Under Current : 0 to 999A, Over Current : 0.5 to 1.19kA, Current Asymmetry : 5.0 to 99.9%
TRIP TIME SETTING	Power ON Delay: 0.5 to 99.9sec Trip Time Delay: 0 to 99.9sec Recovery Time Delay: 0 to 99.9sec Response Time: < 100ms		Power ON Delay : 0.5 to 99.9sec Trip Time Delay : 0 to 99.9sec Recovery Time Delay : 0 to 99.9sec Response Time : < 200ms
HYSTERESIS	Current : 0.1 to 99.9A		
RESOLUTION	Current : 0.01, 0.1, 1A, 0.01kA (Depends on CT setting)		
ACCURACY	Current : ±1% of Setting ± 2 digits, Time (Recovery Time, Trip delay, Power on delay) : ±5% of setting ±200ms		
OUTPUT CONTACT	1C/O SPDT		
RELAY RATING	NO : 10A @ 250V AC ; NC : 10A @ 250V AC		NO : 5A @ 250V AC ; NC : 3A @ 250V AC
SUPPLY VOLTAGE	230V AC ±15%		
FREQUENCY	50 to 60Hz		50 to 60Hz
POWER CONSUMPTION	18VA max.		15VA max.

Terminal Connections



Dimensions (All are in mm)



Ordering Information

PRODUCT CODE	SUPPLY VOLTAGE	CERTIFICATION
CPRD2M-1-1-230V-CE	230V AC	CE RoHS
900CPR-1-1-BL-230V-CE		CE RoHS
900CPR-3-1-BL-230V-CE		CE RoHS

Earth Leakage Relays



900ELR-2
Size : 35 x 90mm



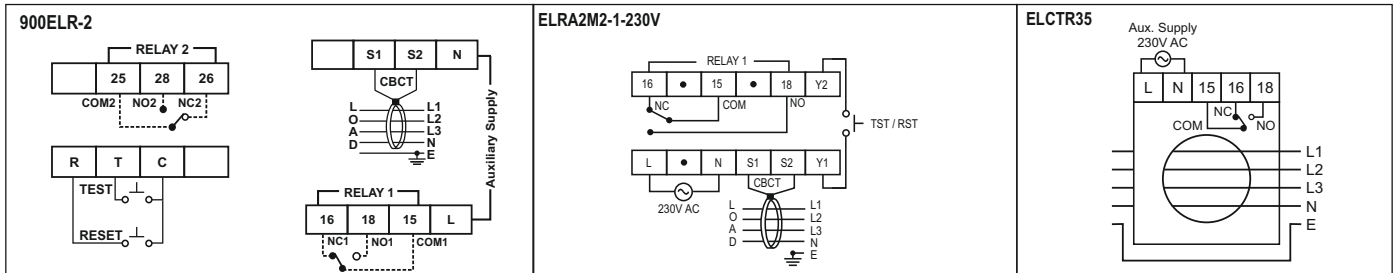
ELRA2M
Size : 35 x 90mm



ELCTR35
Size : 74 x 105mm

FEATURES	<ul style="list-style-type: none"> Din Rail Mount Leakage Current Monitoring in 3Ø & 1Ø systems RMS Value Measurement (AC) Test and Reset via Front / Remote Two Separate Alarms Relays with NO or NC operation selectable 	<ul style="list-style-type: none"> Din Rail Mount Monitors True Rms Earth Leakage Current (upto 30A) Sensitivity and Time Delay Adjustable Test and Reset Function CBCT Open Circuit Indication 	<ul style="list-style-type: none"> Din Rail Mount Inbuilt CBCT Monitors True RMS Earth Leakage Current Test and Reset Function 1 SPDT Output Protection Relay
MEASUREMENT	Earth Leakage Current (Via external CBCT)		Earth Leakage Current (internal CBCT)
DISPLAY	3 Digit LCD with backlight. 2 LED for Trip indication	5 LED indication	2 LED indication
ELECTRICAL CONNECTION	1Ø - 2W, 3Ø - 4W, 3Ø - 3W	1Ø - 2W, 3Ø - 4W	1Ø - 2W, 3Ø - 3W, 3Ø - 4W
TRIP SETTING	10mA to 30A	30mA to 30A	75% of 30mA or 300mA
TIME RANGES	Power ON Delay : 0.5 to 99.9 sec, Trip Time Delay : 0 to 99.9 sec, Delay On Release : 0 to 99.9 sec	Trip Time Delay : 0 to 9 sec (NA when In=0.03A)	Reset time : Instantaneous
HYSTERSIS	5 to 40%	--	8% of input current
RESOLUTION	0.1mA, 1mA, 0.01A, 0.1A	--	--
ACCURACY	Current : ± 5% of setting, Recovery Time, Trip Delay, Power ON delay : ± 5% of setting + 100ms	Trip : ± 5% of Set Trip Current Time : ± 5% of set Time + Response Time	Trip : ± 5% of Input Current Time : ± 5% of Response Time
OUTPUT CONTACT	2 C/O SPDT	1 C/O SPDT	
OUTPUT RATING	NC : 3A @ 250V AC, NO : 5A @ 250V AC	NC : 5A @ 250V AC, NO : 10A @ 277V AC / 28DC	NC : 5A @ 250V AC, NO : 5A @ 30V AC
SUPPLY VOLTAGE	230V AC	230V AC (± 15%)	
FREQUENCY	45 to 65Hz	50 / 60Hz	
POWER CONSUMPTION	3VA max	<5 VA max	15 VA max

Terminal Connections

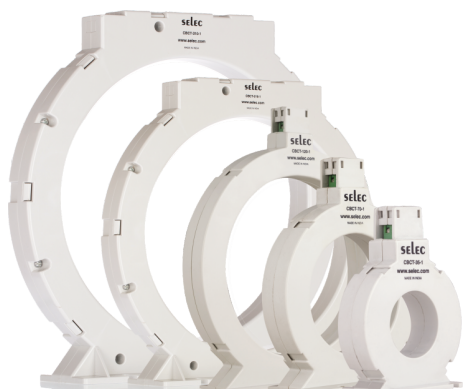


Ordering Information

PRODUCT CODE	SUPPLY VOLTAGE	CERTIFICATION
900ELR-2-230V	230V AC	---
900ELR-2-230V-CE		CE RoHS
ELCTR35-1-300mA-230V		CE RoHS in process

PRODUCT CODE	SUPPLY VOLTAGE	CERTIFICATION
ELCTR35-1-30mA-230V	230V AC	CE RoHS in process
ELRA2M2-1-230V		CE RoHS in process

CBCT for Earth Leakage Relays



DESCRIPTION	CBCT for ELRA2M	CBCT for 900ELR-2
CT RATIO	1000:1	
SIZES (inner diameter)	35 mm, 70 mm, 120 mm, 210mm, 310mm	

Ordering Information

Order Code	Inner Diameter (in mm)	CERTIFICATION
CBCT-35-1	35	CE RoHS in process
CBCT-70-1	70	CE RoHS in process
CBCT-120-1	120	CE RoHS in process
CBCT-210-1	210	CE RoHS in process
CBCT-310-1	310	CE RoHS in process

Earth Fault Relays



900EFR-BL-U
Size : 35 x 90mm

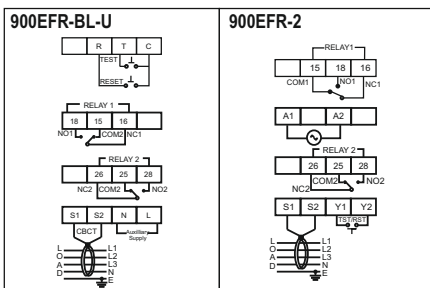


900EFR-2
Size : 35 x 90mm

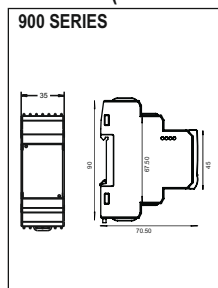
New

FEATURES	<ul style="list-style-type: none"> • Din Rail Mount • Earth Fault Current Monitoring in 1Ø and 3Ø systems, • RMS Value Measurements(AC) • Alarm Relays With NO and NC operation selectable 	<ul style="list-style-type: none"> • Din Rail Mount • Earth Fault Current Monitoring in 1Ø and 3Ø Systems • RMS Value Measurements(AC) • Alarm Relays with NO and NC operation selectable
MEASUREMENT	Earth fault Current (via external EFCT)	
DISPLAY	3 Digit Liquid Crystal Display with backlight, 2 LED for Trip indication	3 Digit Liquid Crystal Display without backlight, 3 LED for Trip indication
ELECTRICAL CONNECTION	1Ø - 2W, 3Ø - 3W, 3Ø - 4W	
FRAME RATING (CT PRIMARY)	160A, 250A, 630A	
M.C.C.B RATING	Depends on Frame Rating	16A to Frame Rating
TRIP SETTING	10% to 80% of selectable MCCB frame rating	Upto 80% of MCCB rating
TIME RANGES	Response time : <100ms Trip time delay : 0 to 99.9sec Recovery time : 0 to 99.9sec Power ON delay : 0.5 to 99.9sec	Trip time delay : 0 to 99.9sec Recovery time : 0 to 99.9sec Power ON delay : 0.5 to 99.9sec 1 to 10% of fault current settings
HYSTERSIS	1 to 10% of fault current settings	
RESOLUTION	0.1A when fault current is less than or equal to 99.9A 1A when fault current is greater than 100A	
ACCURACY	Current : ±5% of the settings ±2digit Time : ±5% of the settings ±100ms	
OUTPUT CONTACT	2 C/O SPDT	
OUTPUT RATING	NC : 3A @ 250V AC NO : 5A @ 250V AC	
SUPPLY VOLTAGE	Auxillary Supply : 85 to 270V AC/DC	415V AC
FREQUENCY	50 / 60Hz	
POWER CONSUMPTION	4VA max	50VA max

Terminal Connections



Dimensions (All are in mm)



Ordering Information

PRODUCT CODE	SUPPLY VOLTAGE	CERTIFICATION
900EFR-BL-U	85 to 270V AC/DC	---
900EFR-BL-U-CE		CE RoHS
900EFR-2-415V-CE	415V AC	CE RoHS

CT for Earth Fault Relays

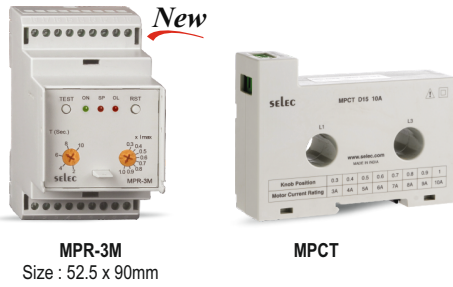


DESCRIPTION	900EFR
CURRENT RATIO	160/1A, 250/A, 630/1A
LOAD RESISTANCE	1 VA

Ordering Information

Part No.	Window Size	Current Rating
EFCT 100/25 160/1A VAL CL1	100/25	160/1A
EFCT 140/35 160/1A VAL CL1	140/35	160/1A
EFCT 140/35 250/1A VAL CL1	140/35	250/1A
EFCT 180/35 250/1A VAL CL1	180/35	250/1A
EFCT 180/35 630/1A VAL CL1	180/35	630/1A
EFCT 220/50 630/1A VAL CL1	220/50	630/1A

Motor Protection Relay



MPR-3M
Size : 52.5 x 90mm

MPCT

Water Level Controller



WLCA2M1
Size : 35 x 90mm

FEATURES

- Din Rail Mount
- Single Phasing, Phase Asymmetry, Phase Sequence
- Under Current, Overload Trip Current
- Test and Reset Buttons via Front / Remote

- Din Rail Mount
- Used For Drain & Fill Control.
- 3 No's Stainless Steel Prods.
- 10A SPDT Output (Resistive)

DISPLAY

3 LED Indication

2 LED Indication

AUXILLARY SUPPLY

230 / 415V AC $\pm 15\%$

85 - 270V AC/DC

FREQUENCY

45 to 65Hz

50 to 60Hz

ELECTRICAL CONNECTION

3 \emptyset - 3W

Auxiliary Supply

POWER RATING

5 VA max

3 VA max

TRIP SETTING

Phase Asymmetry : 50% of motor current (Fixed)
T(sec) setting : To select 2, 4, 6, 8, 10 sec trip time curve in overload trip curve graph.
Under Current : 50% of Motor Current
X Imax : To select motor current rating

According to the levels of sensor placed in the water tank

SENSITIVITY

NA

1 Kohms to 200Kohms

TRIP TIME

Single Phase trip : 5 sec, Phase Asymmetry : 5 sec, Phase Sequence : 5 sec
Over load trip : As per graph 1, Under Current trip : 5 Sec

0.5 sec (approx)

MODE

Auto / Manual / Remote

Automatic

ACCURACY

Time : $\pm 5\%$ of full scale ± 100 msec
Current : $\pm 5\%$ of full scale

NA

OUTPUT CONTACT

2 C/O DPDT

1 C/O SPDT

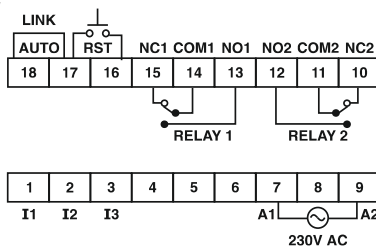
OUTPUT RATING

NC : 5A @ 240V AC NO : 5A @ 240V AC

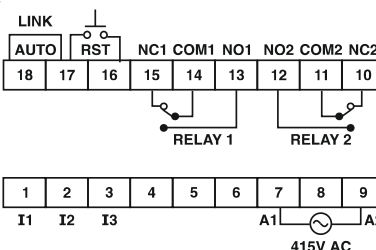
10A @ 250V AC / 28V DC

Terminal Connections

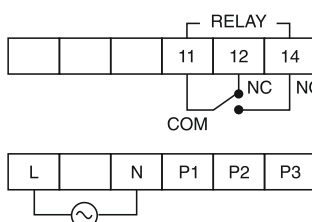
MPR-3M-2-230V



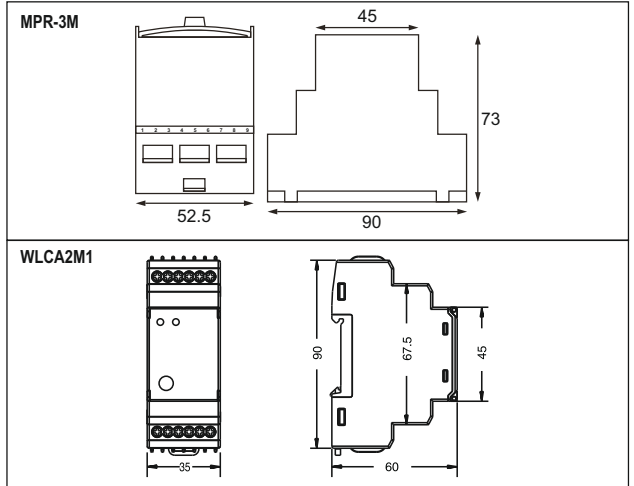
MPR-3M-2-415V



WLCA2M1



Dimensions (All are in mm)



Ordering Information

PRODUCT CODE	SUPPLY VOLTAGE	CERTIFICATION
MPR-3M-2-230V	230V AC	---
MPR-3M-2-415V	415V AC	---
WLCA2M1	85 to 270V AC/DC	CE RoHS in process

PRODUCT CODE	INPUT CURRENT	CERTIFICATION
MPCT D15 10 A	10 A	---
MPCT D15 40 A	40 A	---
MPCT D15 80 A	80 A	---